



Because we are committed to limiting uncertainty, the Integra SaberTip™ ultrasonic tip increases selective bone removal around critical structures while keeping a high level of selectivity, enabling the CUSA EXcel®+ Systems to address a wider range of tissue types and save valuable time in operating room.

Product Description

- Ultrasonic longitudinal motion enables precision bone removal without the concern of a rotating device.
- 180° abrasive surface for sculpting bone.
- Central aspirating tip assists in keeping the operating field clean.
- Tip changeable in the sterile field.
- Pre-aspiration holes cool the tip and reduce misting.
- Tapered design improves tip visibility.
- Available on the small and powerful 36kHz handpiece for improved tactile feedback.



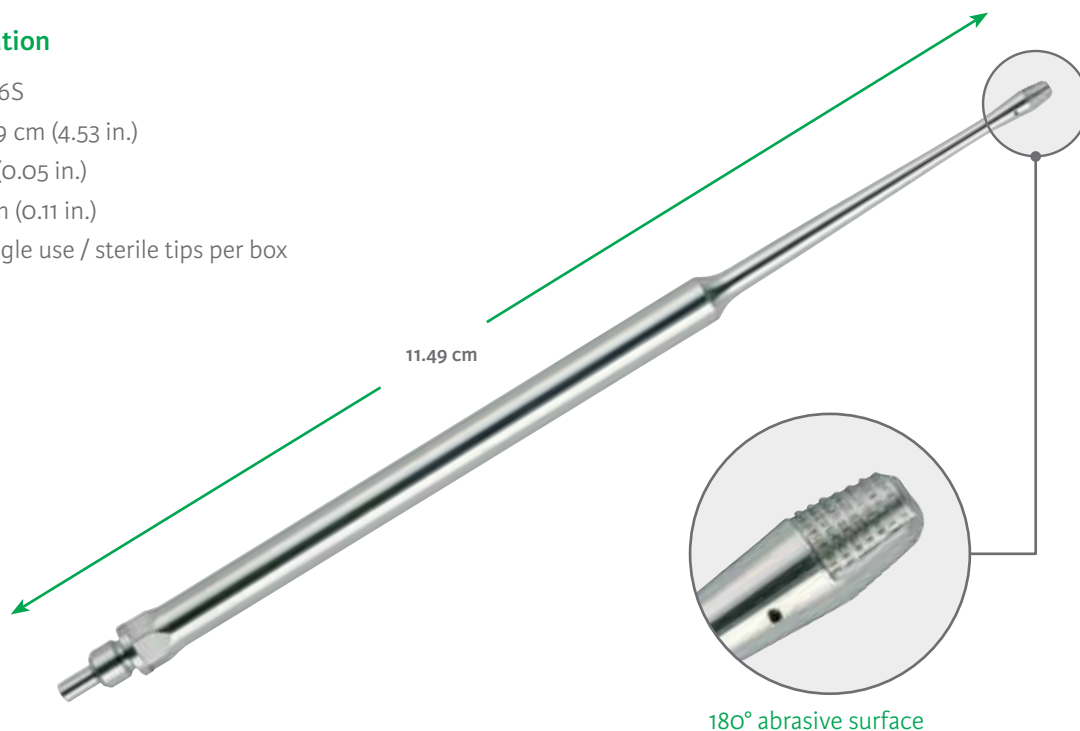
Compatible with CUSA EXcel®+
Ultrasonic Tissue Ablation System

CUSA® SaberTip™

Ultrasonic Bone Sculpting Tip

Product Specification

- Catalog #: C4616S
- Tip Length: 11.49 cm (4.53 in.)
- Tip ID: 1.14 mm (0.05 in.)
- Tip OD: 2.85 mm (0.11 in.)
- Packaging: 4 single use / sterile tips per box



CUSA EXcel® + Range of Tips

PrecisionTip™ Series

Smallest diameter for access in restricted areas



MicroTip™ Series

Better access for delicate procedures



Standard Tip Series

Larger diameter for rapid tumor debulking



CUSA® SaberTip™

Selective bone removal around critical structures



MicroTip™ Plus

Improved access for transnasal procedures



ShearTip™

Specific design for fibrous and tough tissue



Integra LifeSciences Services (France) SAS
Sales & Marketing EMEA
Immeuble Séquoia 2 • 97 allée Alexandre Borodine
Parc technologique de la Porte des Alpes
69800 Saint Priest • FRANCE
t +33 (0)4 37 47 59 00 • fax +33 (0)4 37 47 59 99
emea.info@integralife.com • integralife.com

Customer Service

International: +33 (0)4 37 47 59 50 • +33 (0)4 37 47 59 25 (Fax) • csemae@integralife.com
France: +33 (0)4 37 47 59 10 • +33 (0)4 37 47 59 29 (Fax) • custsvfrance@integralife.com
United Kingdom: +44 (0)1 264 345 780 • +44 (0)1 264 363 782 (Fax) • custsvcuk@integralife.com
Germany: +49 (0) 2102 5535 6200 • +49 (0)2 102 5536 636 (Fax) • custsvgermany@integralife.com
Benelux: +32 (0)2 257 4130 • +32 (0)2 253 2466 (Fax) • custsvbenelux@integralife.com
Switzerland: +41 (0)2 27 21 23 30 • +41 (0)2 27 21 23 99 (Fax) • custsvcsuisse@integralife.com

Integra LifeSciences (Ireland) Limited IDA
Business and Technology Park
Sragh
Tullamore • County Offaly • Ireland

©2011 Integra LifeSciences Corporation. All rights reserved. ILS 04-01-003-02-11
PRODUCTS FOR SALE IN EUROPE, MIDDLE-EAST and AFRICA ONLY

Distributed by

INTEGRA
LIMIT UNCERTAINTY

Availability of these products might vary from a given country or region to another, as a result of specific local regulatory approval or clearance requirements for sale in such country or region. • Always refer to the appropriate instructions for use for complete clinical instructions. • Non contractual document. The manufacturer reserves the right, without prior notice, to modify the products in order to improve their quality. • WARNING: Applicable laws restrict these products to sale by or on the order of a physician. • CUSA, CUSA EXcel, SaberTip, MicroTip, MicroTip Plus, PrecisionTip, ShearTip, Integra and the Integra logo are trademarks or registered trademarks of Integra LifeSciences Corporation or its subsidiaries.

CE
0086